



Automation & Fixture, Inc.

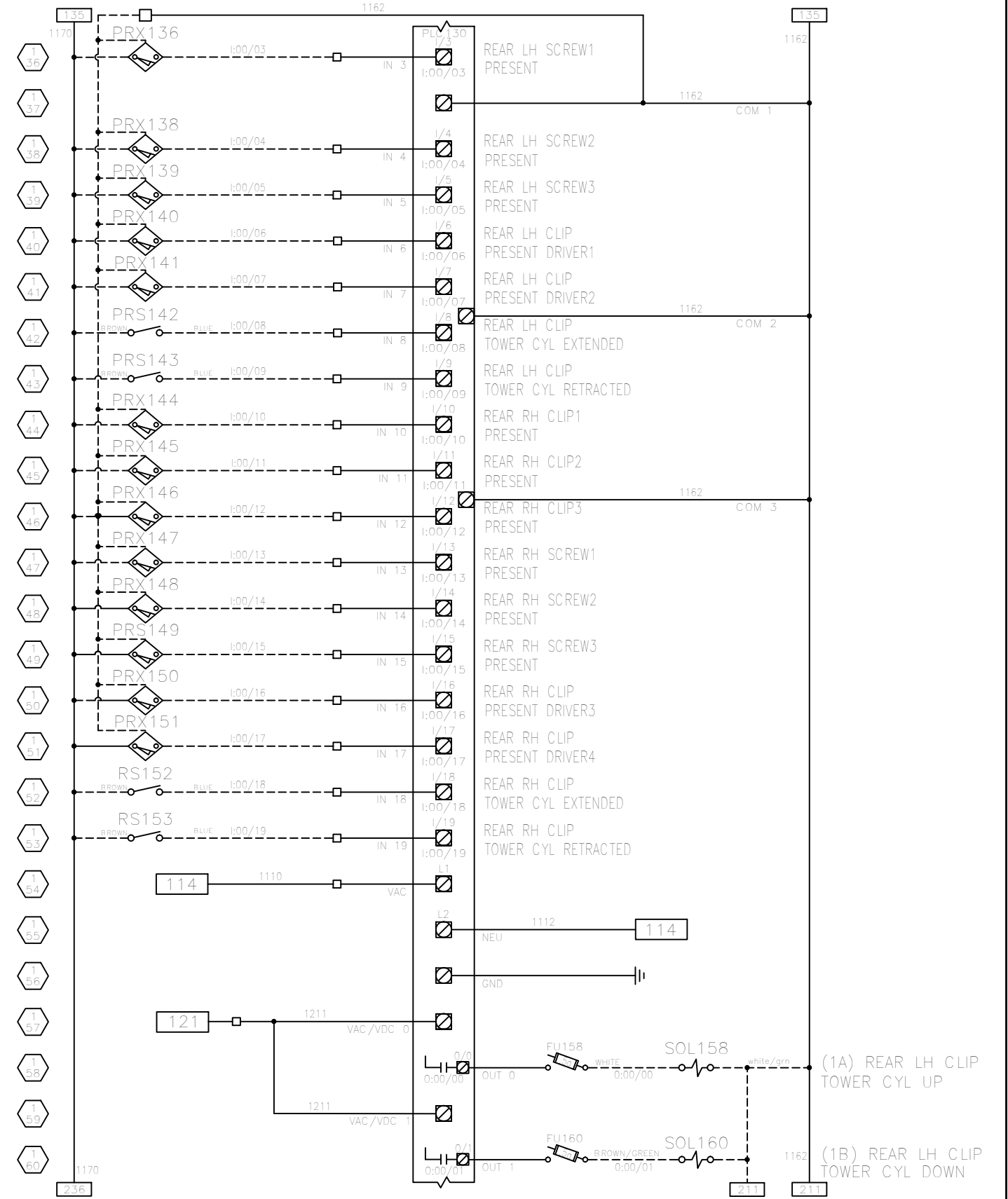
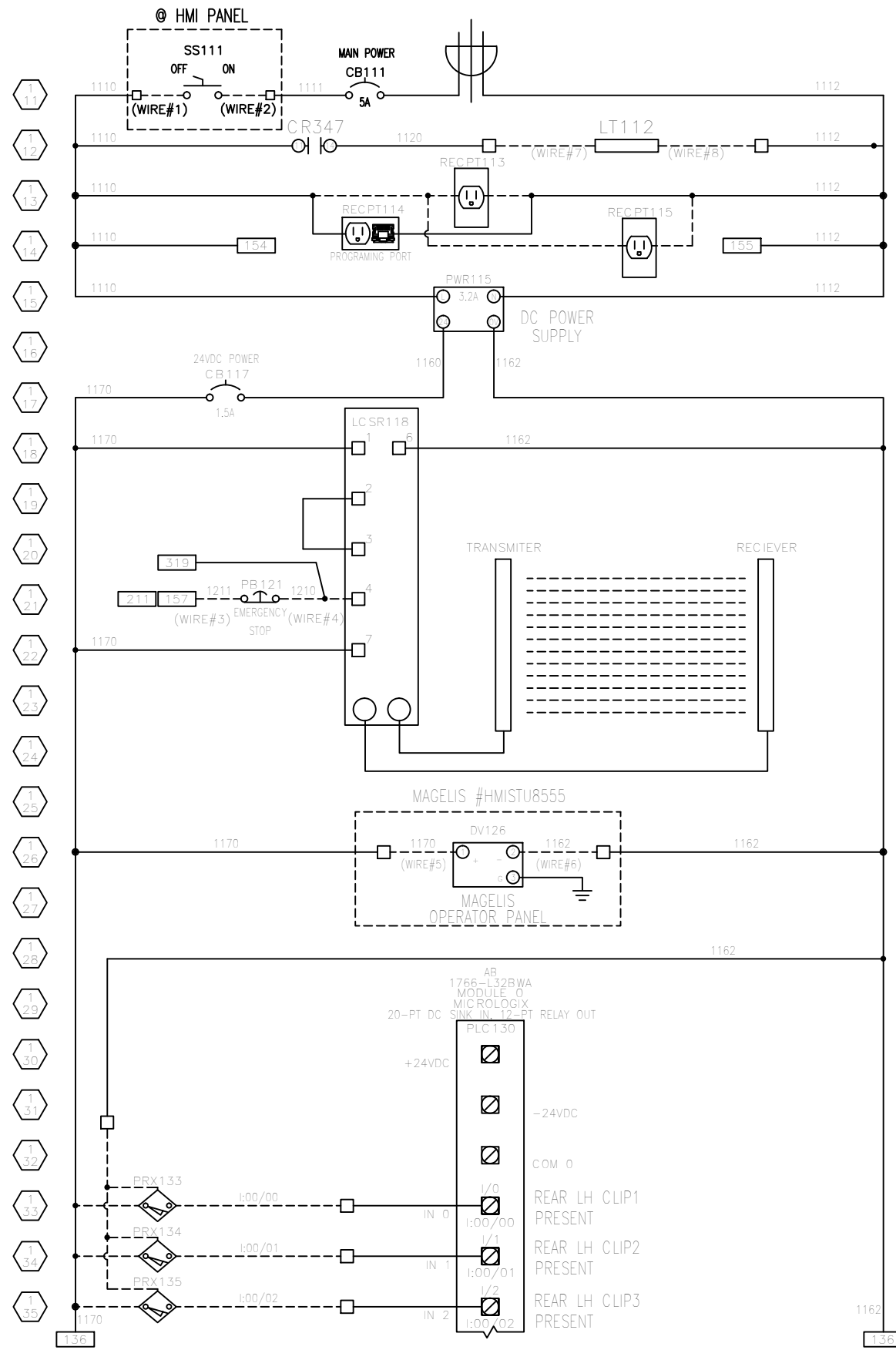
5352 RUSCHE DR NW
COMSTOCK PARK MI 4932
PHONE: 616 785-5400
FAX: 616 785-0540

CUSTOMER: CRW

PROJECT: CLIP INSTALLATION MACHINE

CGAF JOB NUMBER: 1402

<small>This drawing is the sole property of CG Automation & Fixture, and embodies a confidential proprietary design. All rights in this document and in the information contained herein are reserved by CG Automation & Fixture. This document may not be reproduced or used and its contents may not be disclosed to others without the expressed written consent of CG Automation & Fixture.</small>	NOTICE																			
	NO.	DATE	REVISIONS	BY	APPROV'D			<small>5352 RUSCHE DR NW COMSTOCK PARK MI 49321 PHONE: 616 785-5400 FAX: 616 785-0540</small>		DATE:	3/24/15	DRAWN BY:	CRW	CHECKED BY:	JUB	SHEET NO.:	1	TOTAL SHEETS:	1	DRAWING NO.:



Note: Dotted lines identify wiring outside the control panel

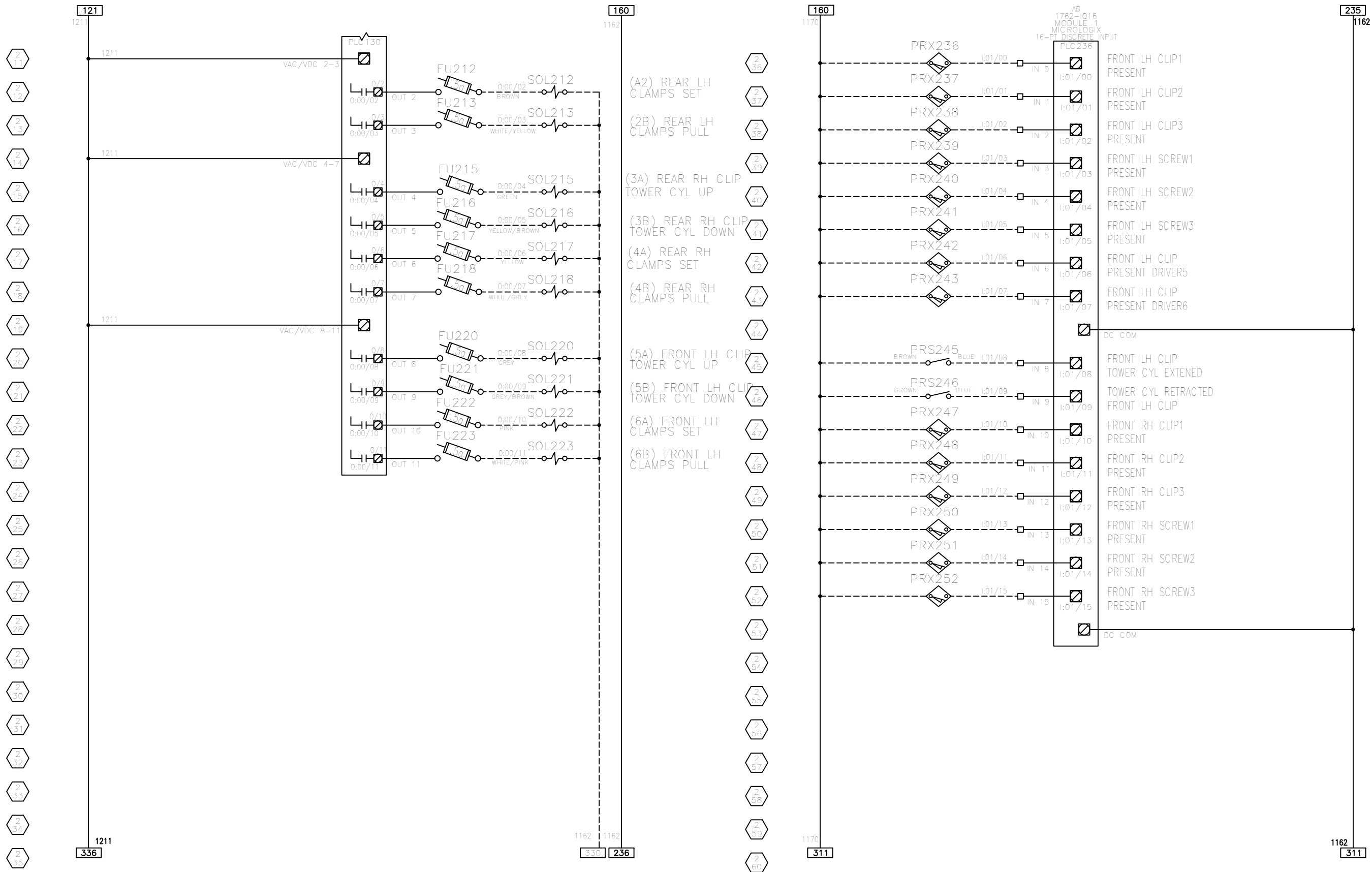
NOTICE
 This drawing is the sole property of CG Automation & Fixture, and embodies a confidential proprietary design. All rights in this document and in the information contained herein are reserved by CG Automation & Fixture. This document may not be reproduced or used and its contents may not be disclosed to others without the expressed written consent of CG Automation & Fixture.

NO.	DATE	REVISIONS	BY	APPROV
B	6/20/15	AS BUILT	JUB	-
A	3/24/15	DESIGN	JUB	-



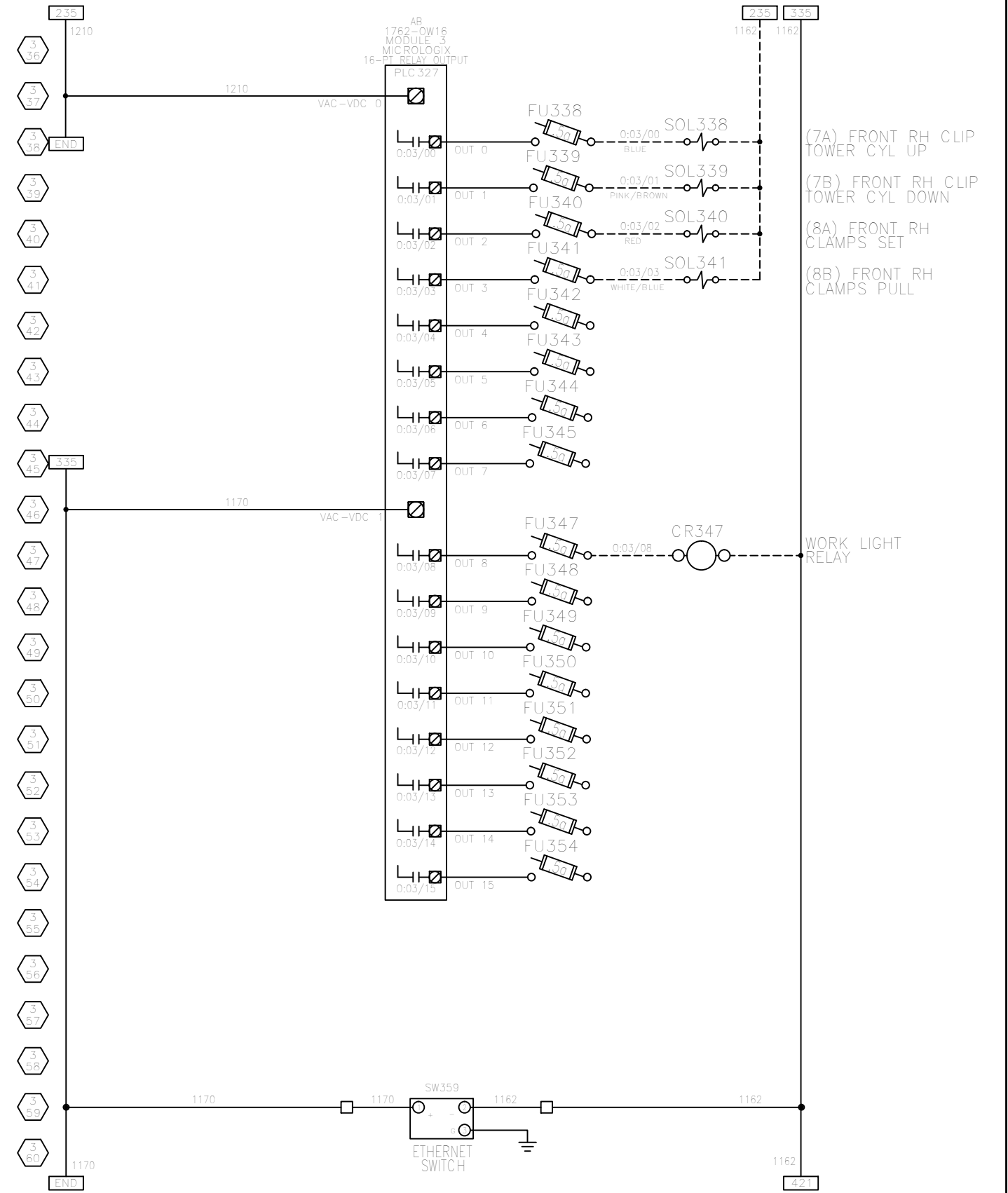
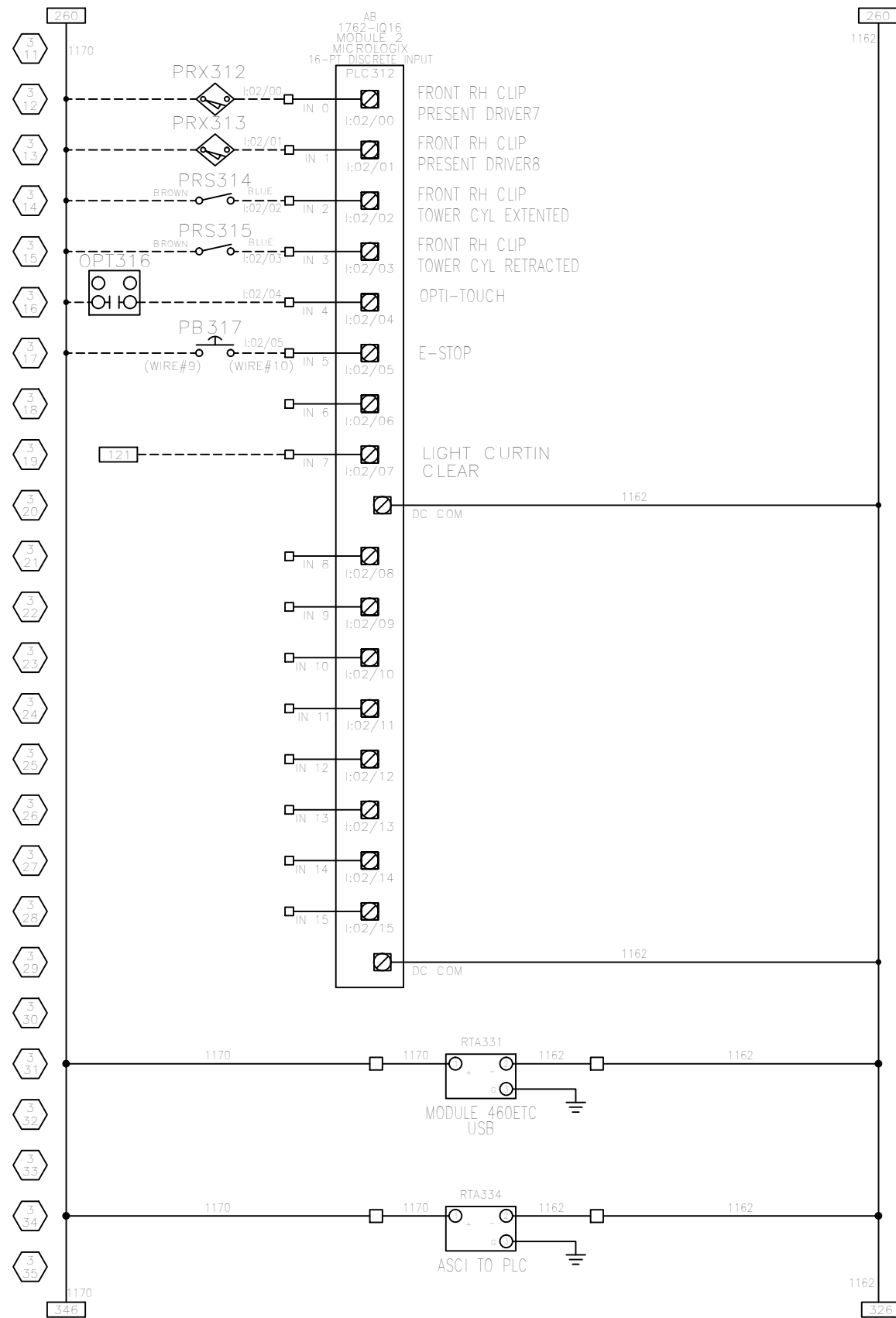
5352 RUSCH DR NW
 CONISTOCK PARK MI 49321
 PHONE: 616 785-5400
 FAX: 616 785-0540

DATE	DESIGNER	CHECKED	DATE	BY
3/24/15	CRW	JUB		
1222	CLIP INSTALL MACHINE			
1402	POWER AND INPUTS			



Note: Dotted lines identify wiring outside the control panel

<p>NOTICE</p> <p>This drawing is the sole property of CG Automation & Fixture, and embodies a confidential proprietary design. All rights in this document and in the information contained herein are reserved by CG Automation & Fixture. This document may not be reproduced or used and its contents may not be disclosed to others without the expressed written consent of CG Automation & Fixture.</p>		<table border="1"> <tr> <th>NO.</th> <th>DATE</th> <th>REVISIONS</th> <th>BY</th> <th>APPROV'D</th> </tr> <tr> <td>B</td> <td>6/20/15</td> <td>AS BUILT</td> <td>JUB</td> <td>-</td> </tr> <tr> <td>A</td> <td>3/24/15</td> <td>DESIGN</td> <td>JUB</td> <td>-</td> </tr> </table>	NO.	DATE	REVISIONS	BY	APPROV'D	B	6/20/15	AS BUILT	JUB	-	A	3/24/15	DESIGN	JUB	-	<p>Automation & Fixture, Inc.</p> <p>5352 RUSCH DR NW COMSTOCK PARK MI 48321 PHONE: 616 785-5400 FAX: 616 785-0540</p>	<table border="1"> <tr> <td>DATE</td> <td>3/24/15</td> <td>DESIGNED</td> <td>CRW</td> </tr> <tr> <td>DRAWN</td> <td>1222</td> <td>PROJECT</td> <td>CLIP INSTALL MACHINE</td> </tr> <tr> <td>DCAF JOB NUMBER</td> <td>1402</td> <td>SHEET TITLE</td> <td>I/O WIRING</td> </tr> </table>	DATE	3/24/15	DESIGNED	CRW	DRAWN	1222	PROJECT	CLIP INSTALL MACHINE	DCAF JOB NUMBER	1402	SHEET TITLE	I/O WIRING	<table border="1"> <tr> <td>DATE</td> <td>3/24/15</td> <td>DESIGNED</td> <td>CRW</td> </tr> <tr> <td>DRAWN</td> <td>1222</td> <td>PROJECT</td> <td>CLIP INSTALL MACHINE</td> </tr> <tr> <td>DCAF JOB NUMBER</td> <td>1402</td> <td>SHEET TITLE</td> <td>I/O WIRING</td> </tr> </table>	DATE	3/24/15	DESIGNED	CRW	DRAWN	1222	PROJECT	CLIP INSTALL MACHINE	DCAF JOB NUMBER	1402	SHEET TITLE	I/O WIRING
NO.	DATE	REVISIONS	BY	APPROV'D																																								
B	6/20/15	AS BUILT	JUB	-																																								
A	3/24/15	DESIGN	JUB	-																																								
DATE	3/24/15	DESIGNED	CRW																																									
DRAWN	1222	PROJECT	CLIP INSTALL MACHINE																																									
DCAF JOB NUMBER	1402	SHEET TITLE	I/O WIRING																																									
DATE	3/24/15	DESIGNED	CRW																																									
DRAWN	1222	PROJECT	CLIP INSTALL MACHINE																																									
DCAF JOB NUMBER	1402	SHEET TITLE	I/O WIRING																																									



Note: Dotted lines identify wiring outside the control panel

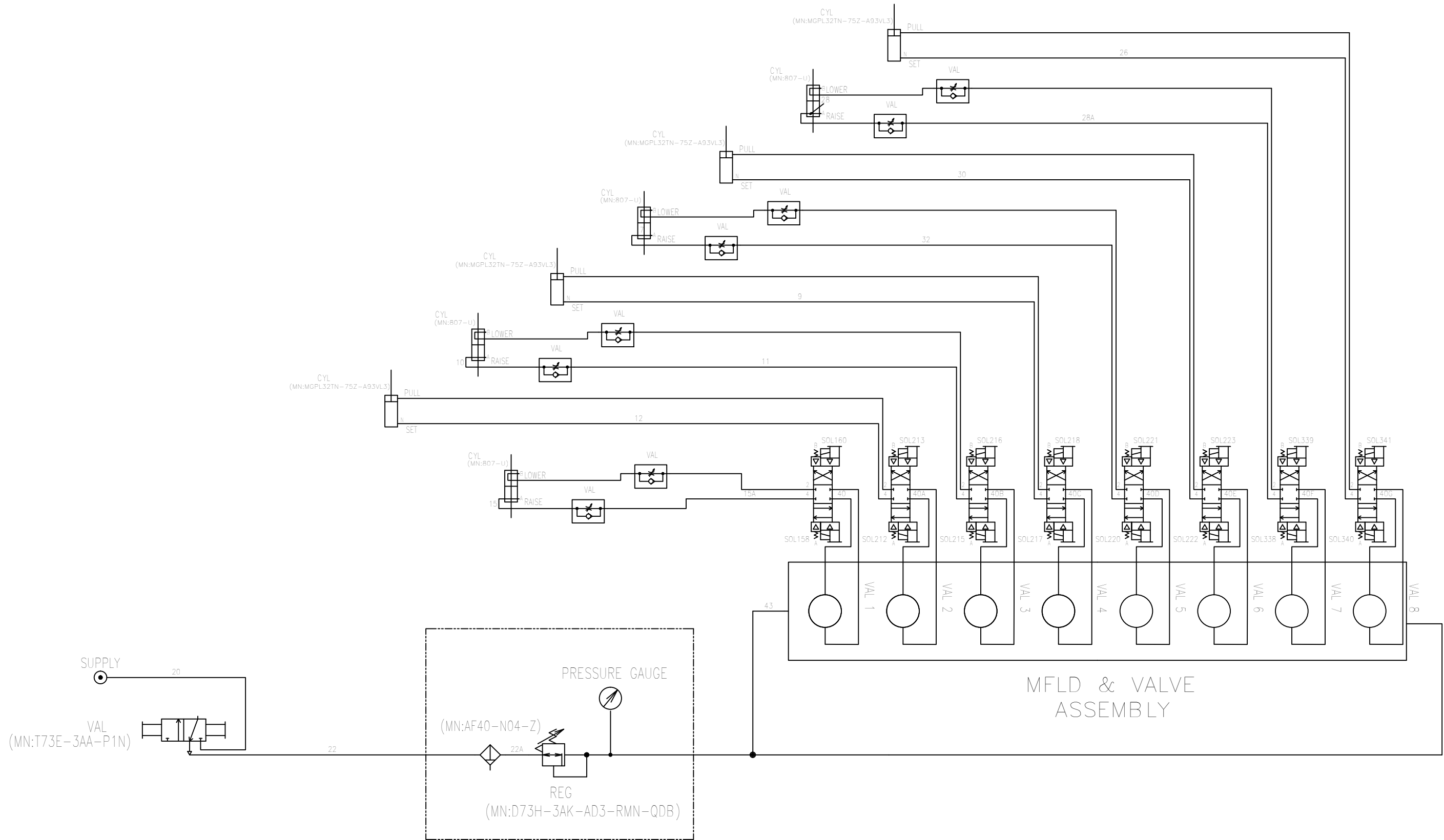
NOTICE
This drawing is the sole property of CG Automation & Fixture, and embodies a confidential proprietary design. All rights in this document and in the information contained herein are reserved by CG Automation & Fixture. This document may not be reproduced or used and its contents may not be disclosed to others without the expressed written consent of CG Automation & Fixture.

NO.	DATE	REVISIONS	BY	APPROV
B	6/20/15	AS BUILT	JUB	
A	3/24/15	DESIGN	JUB	



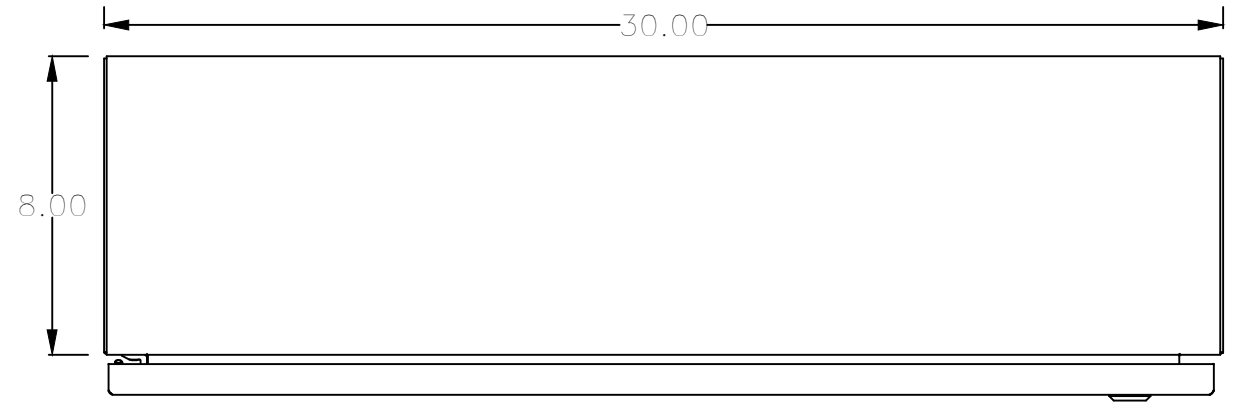
5352 RUSCH DR NW
CONISTOCK PARK MI 48321
PHONE: 616 785-5400
FAX: 616 785-0540

DATE	DESIGNER	PROJECT	SHEET TITLE	DRWING NO.
3/24/15	CRW	CLIP INSTALL MACHINE	1/0 WIRING	1402-E03



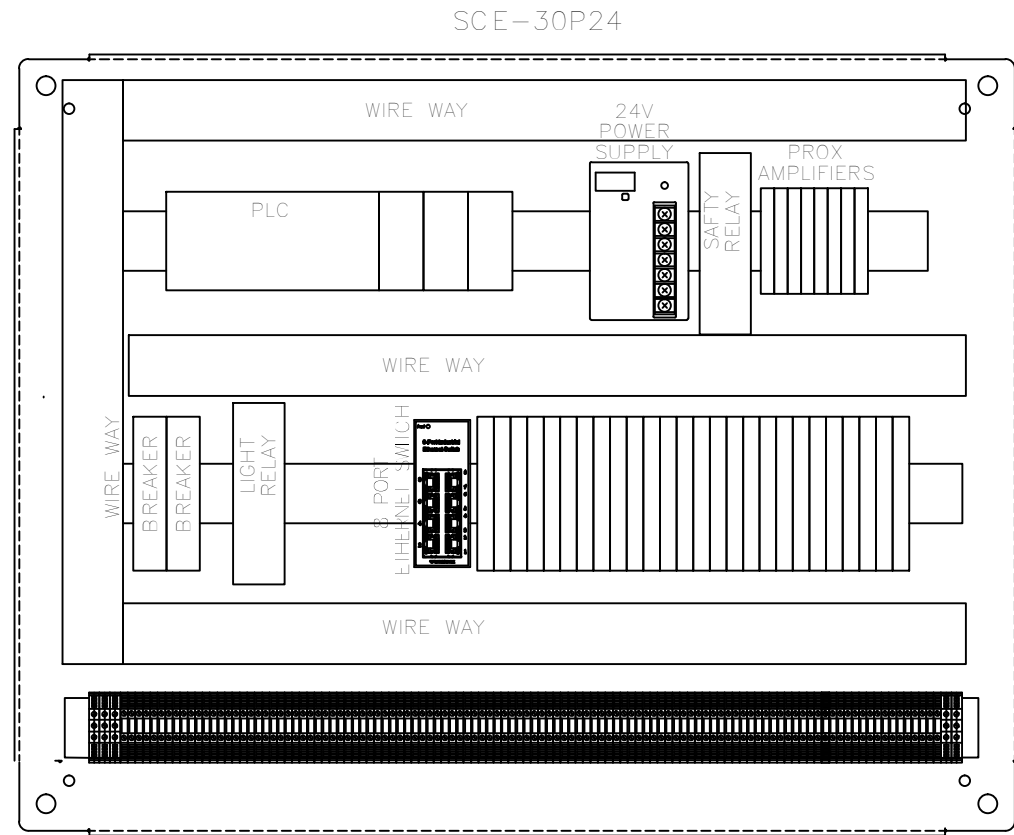
Note: Dotted lines identify wiring outside the control panel

<p>NOTICE</p> <p>This drawing is the sole property of CG Automation & Fixture, and embodies a confidential proprietary design. All rights in this document and in the information contained herein are reserved by CG Automation & Fixture. This document may not be reproduced or used and its contents may not be disclosed to others without the expressed written consent of CG Automation & Fixture.</p>		<table border="1"> <tr> <th>NO.</th> <th>DATE</th> <th>REVISIONS</th> <th>BY</th> <th>APPROV'D</th> </tr> <tr> <td>B</td> <td>6/20/15</td> <td>AS BUILT</td> <td>JUB</td> <td>-</td> </tr> <tr> <td>A</td> <td>3/24/15</td> <td>DESIGN</td> <td>JUB</td> <td>-</td> </tr> </table>		NO.	DATE	REVISIONS	BY	APPROV'D	B	6/20/15	AS BUILT	JUB	-	A	3/24/15	DESIGN	JUB	-	<p>CG Automation & Fixture, Inc.</p> <p>5352 RUSCHE DR NW CONISTOCK PARK MI 49321 PHONE: 616 785-5400 FAX: 616 785-0540</p>		<table border="1"> <tr> <td>DATE</td> <td>3/24/15</td> <td>DRAWN BY</td> <td>CRW</td> </tr> <tr> <td>REV. NO.</td> <td>1222</td> <td>PRODUCT</td> <td>CLIP INSTALL MACHINE</td> </tr> <tr> <td>ECDF JOB NUMBER</td> <td>1402</td> <td>SHEET TITLE</td> <td>PNEUMATIC</td> </tr> </table>		DATE	3/24/15	DRAWN BY	CRW	REV. NO.	1222	PRODUCT	CLIP INSTALL MACHINE	ECDF JOB NUMBER	1402	SHEET TITLE	PNEUMATIC	<table border="1"> <tr> <td>DATE</td> <td>3/24/15</td> <td>DRAWN BY</td> <td>CRW</td> </tr> <tr> <td>REV. NO.</td> <td>1222</td> <td>PRODUCT</td> <td>CLIP INSTALL MACHINE</td> </tr> <tr> <td>ECDF JOB NUMBER</td> <td>1402</td> <td>SHEET TITLE</td> <td>PNEUMATIC</td> </tr> </table>		DATE	3/24/15	DRAWN BY	CRW	REV. NO.	1222	PRODUCT	CLIP INSTALL MACHINE	ECDF JOB NUMBER	1402	SHEET TITLE	PNEUMATIC
NO.	DATE	REVISIONS	BY	APPROV'D																																												
B	6/20/15	AS BUILT	JUB	-																																												
A	3/24/15	DESIGN	JUB	-																																												
DATE	3/24/15	DRAWN BY	CRW																																													
REV. NO.	1222	PRODUCT	CLIP INSTALL MACHINE																																													
ECDF JOB NUMBER	1402	SHEET TITLE	PNEUMATIC																																													
DATE	3/24/15	DRAWN BY	CRW																																													
REV. NO.	1222	PRODUCT	CLIP INSTALL MACHINE																																													
ECDF JOB NUMBER	1402	SHEET TITLE	PNEUMATIC																																													

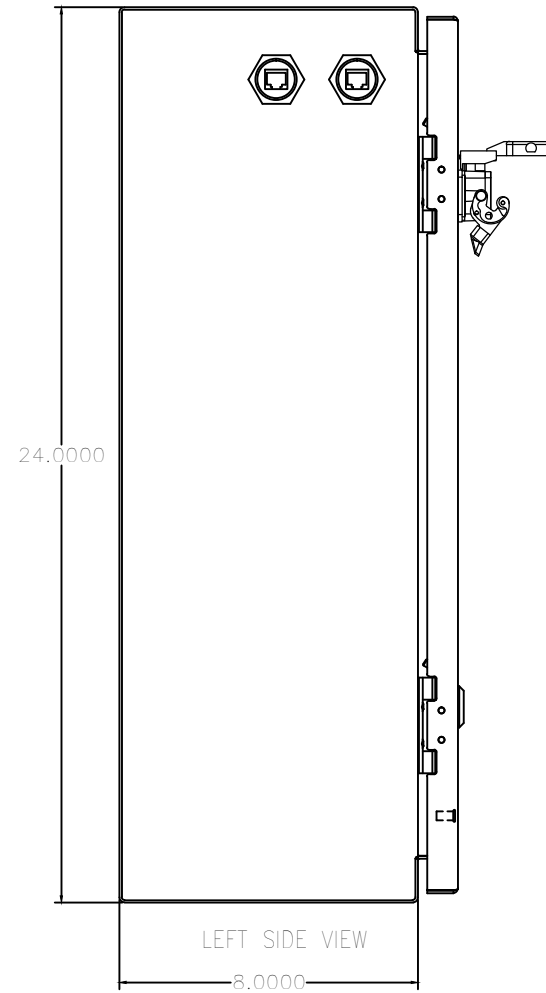


TOP VIEW

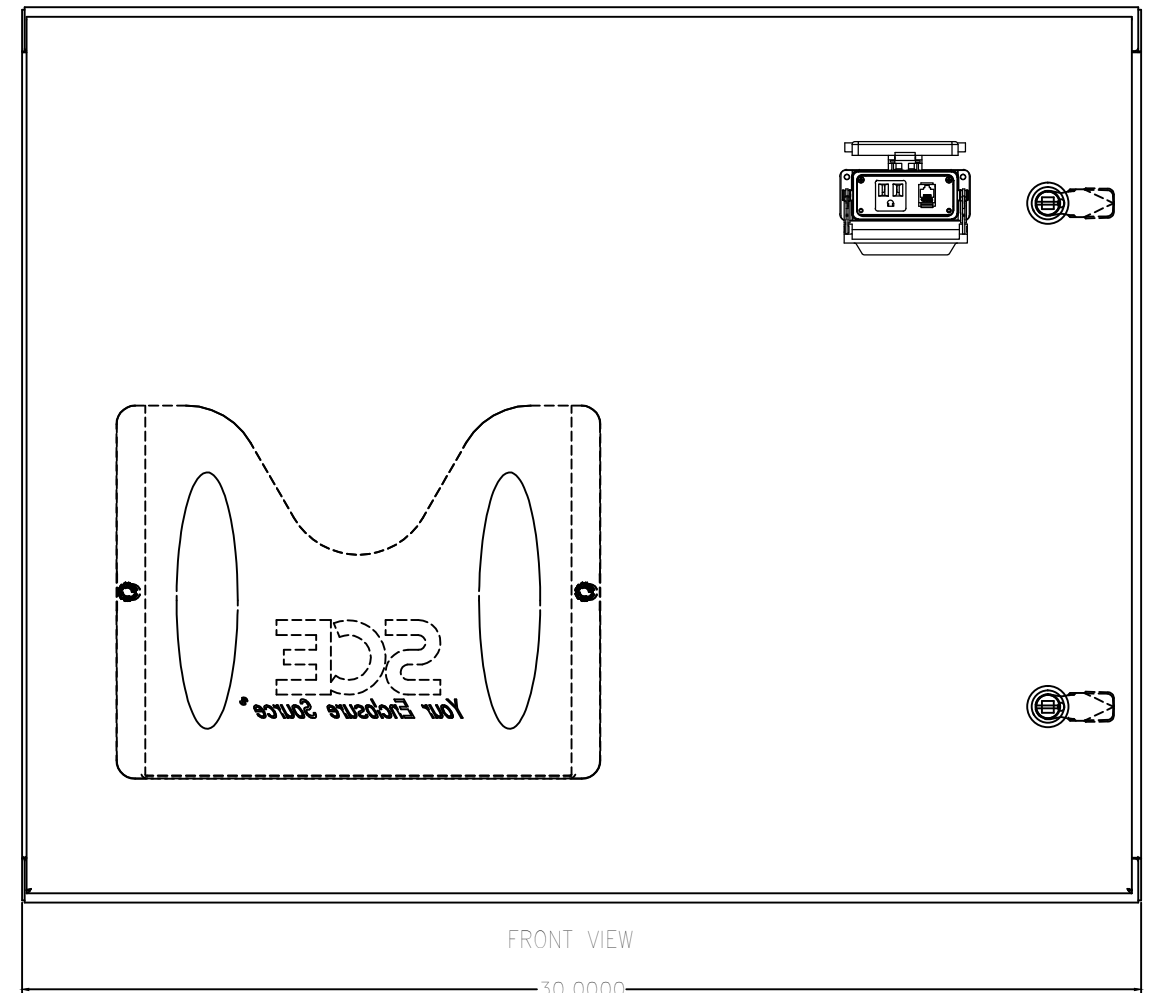
SCE-24EL3008LP



SUB PANEL FRONT VIEW



LEFT SIDE VIEW



FRONT VIEW

NOTICE
 This drawing is the sole property of CG Automation & Fixture, and embodies a confidential proprietary design. All rights in this document and in the information contained herein are reserved by CG Automation & Fixture. This document may not be reproduced or used and its contents may not be disclosed to others without the expressed written consent of CG Automation & Fixture.

NO.	DATE	REVISIONS	BY	APPROVD
B	6/20/15	AS BUILT	JUB	-
A	3/24/15	DESIGN	JUB	-



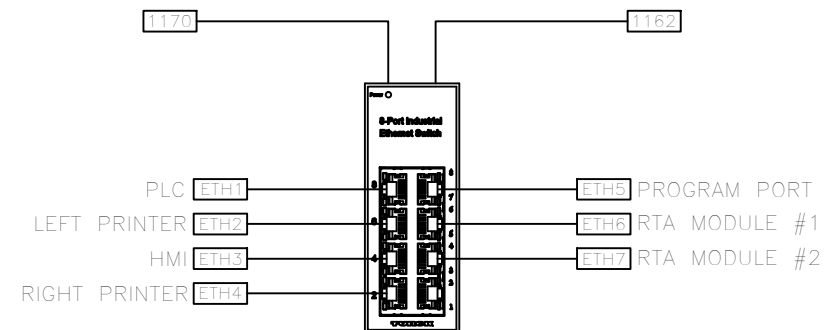
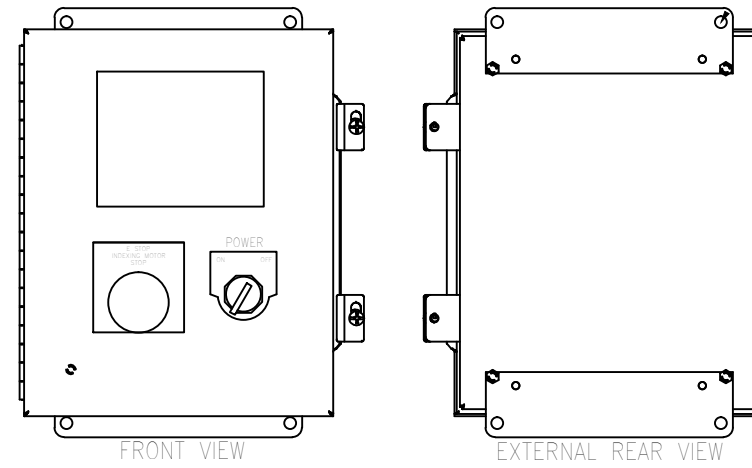
5352 RUSCHE DR NW
 COMSTOCK PARK MI 48321
 PHONE: 616 785-5400
 FAX: 616 785-0540

DATE	DESIGNER	CHECKED	DATE	BY
3/24/15	CRW			
1222	PRODUCT	CLIP INSTALL MACHINE		
1402	SHEET NUMBER	PANEL LAYOUT		

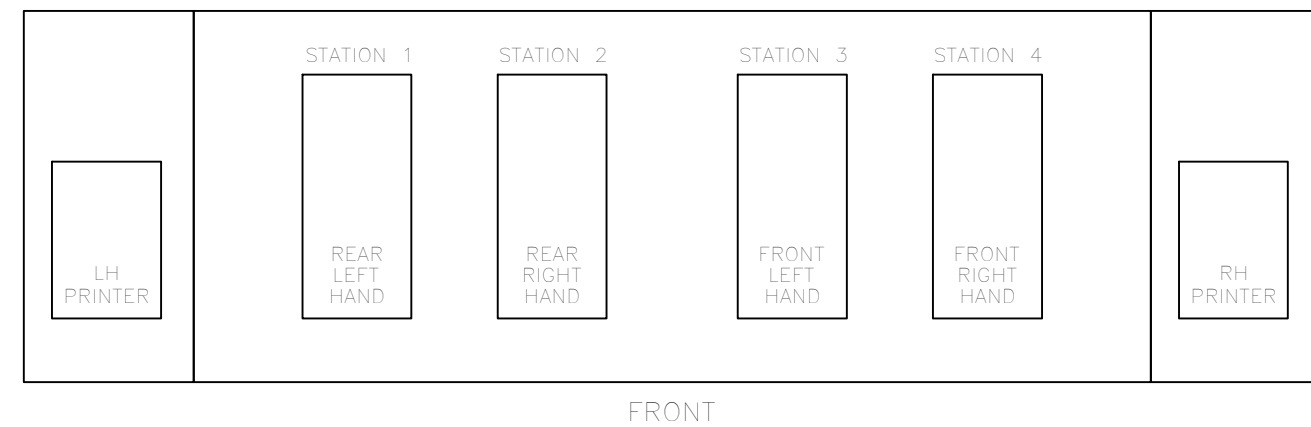
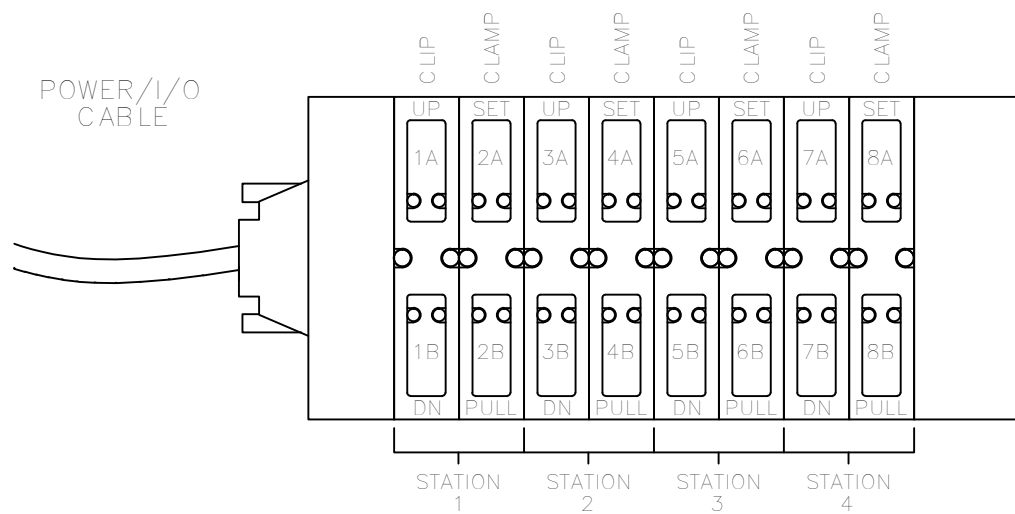
1402-PNL1

SCE-10086CHNF

SCE-10P8



ETHERNET IP		
IP ADDRESS	SUBNET	DEVICE TYPE
192.168.100.1	255.255.255.0	PLC 1766-L32 BWA
192.168.100.2	255.255.255.0	MAGELIS COLOR 5.7" TOUCHSCREEN/OP1
192.168.100.4	255.255.255.0	LP/TLP 2824 PLUS PRINTER RIGHT SIDE
192.168.100.5	255.255.255.0	LP/TLP 2824 PLUS PRINTER LEFT SIDE
192.168.100.6	255.255.255.0	RTA MODULE ASCI TO PLC
192.168.100.7	255.255.255.0	RTA MODULE 460ETCUSB- PROTOCOL GATEWAY
192.168.100.8	255.255.255.0	ZIP PORT RECEIPT RJ45



NOTICE
 This drawing is the sole property of CG Automation & Fixture, and embodies a confidential proprietary design. All rights in this document and in the information contained herein are reserved by CG Automation & Fixture. This document may not be reproduced or used and its contents may not be disclosed to others without the expressed written consent of CG Automation & Fixture.

NO.	DATE	REVISIONS	BY	APPR'D
B	6/20/15	AS BUILT	JUB	-
A	3/24/15	DESIGN	JUB	-



5352 RUSCHE DR NW
 COMSTOCK PARK MI 48321
 PHONE: 616 785-5400
 FAX: 616 785-0540

DATE	ISSUED BY	REVISIONS	BY	APPR'D
3/24/15	CRW	-	-	-
1222	PRODUCT	CLIP INSTALL MACHINE	-	-
1402	SCAF JOB NUMBER	SHEET TITLE	PANEL LAYOUT	-

1402-PNL2