

NOTICE

This drawing is the sole property of CG Automation & Fixture, and embodies a confidential proprietary design. All rights in this document and in the information contained herein are reserved by CG Automation & Fixture. This document may not be reproduced or used and its contents may not be disclosed to others without the expressed written consent of CG Automation & Fixture.

NO.	DATE	REVISIONS	BY	APP'D	NO.	DATE	REVISIONS	BY	APP'D
A	3/20/15	AS BUILT							

CUSTOMER P.O. NO. _____

CHECKER _____

DATE _____

LAST REV. _____

PANEL COLOR _____

FINISH _____

DATE _____

LAST REV. _____

FINISH _____

DATE _____

LAST REV. _____

FINISH _____

Automation & Fixture, Inc.

5352 RUSCHE DR NW
CONSTOCK PARK M 49321

PHONE: 616 785-5400
FAX: 616 785-0540

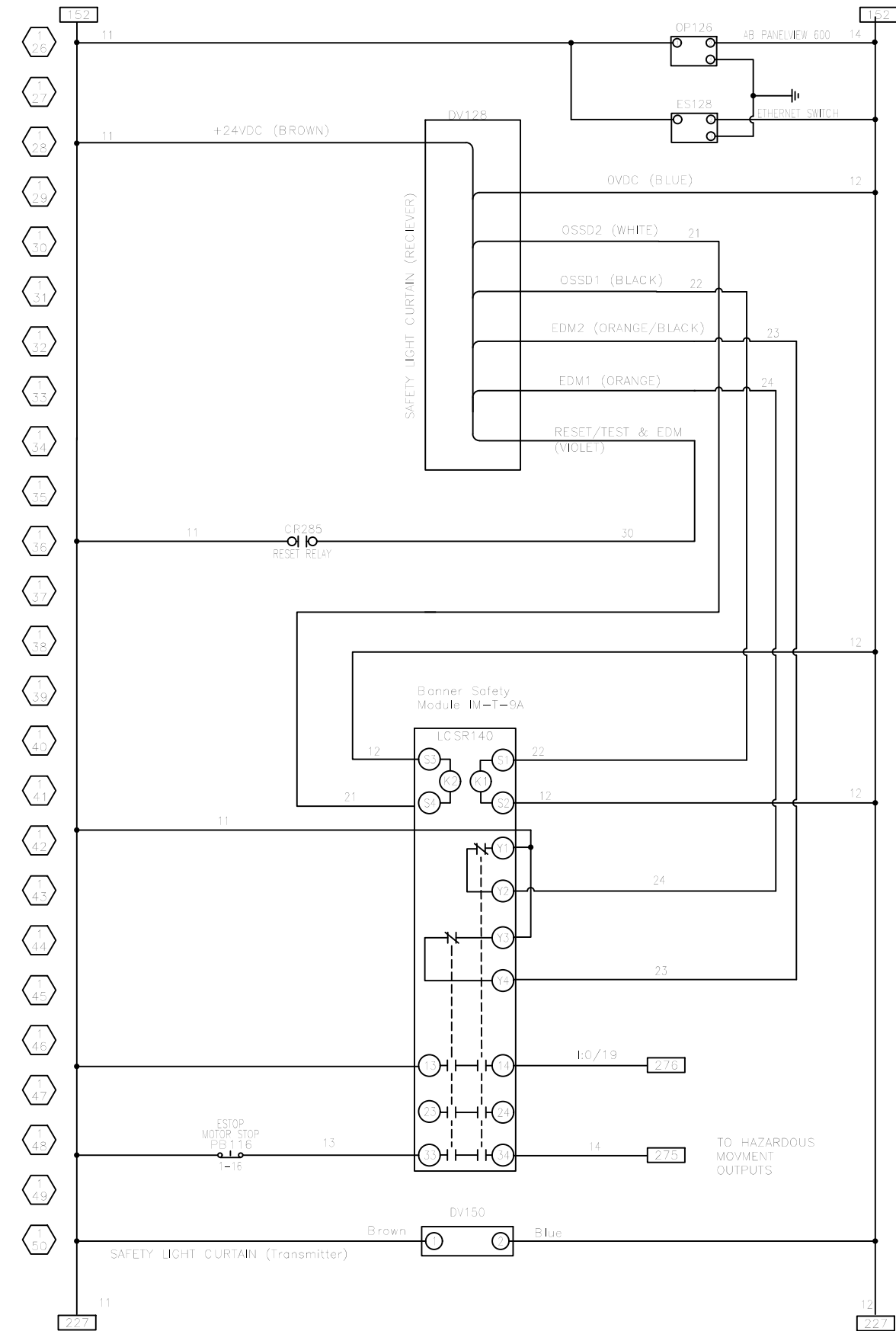
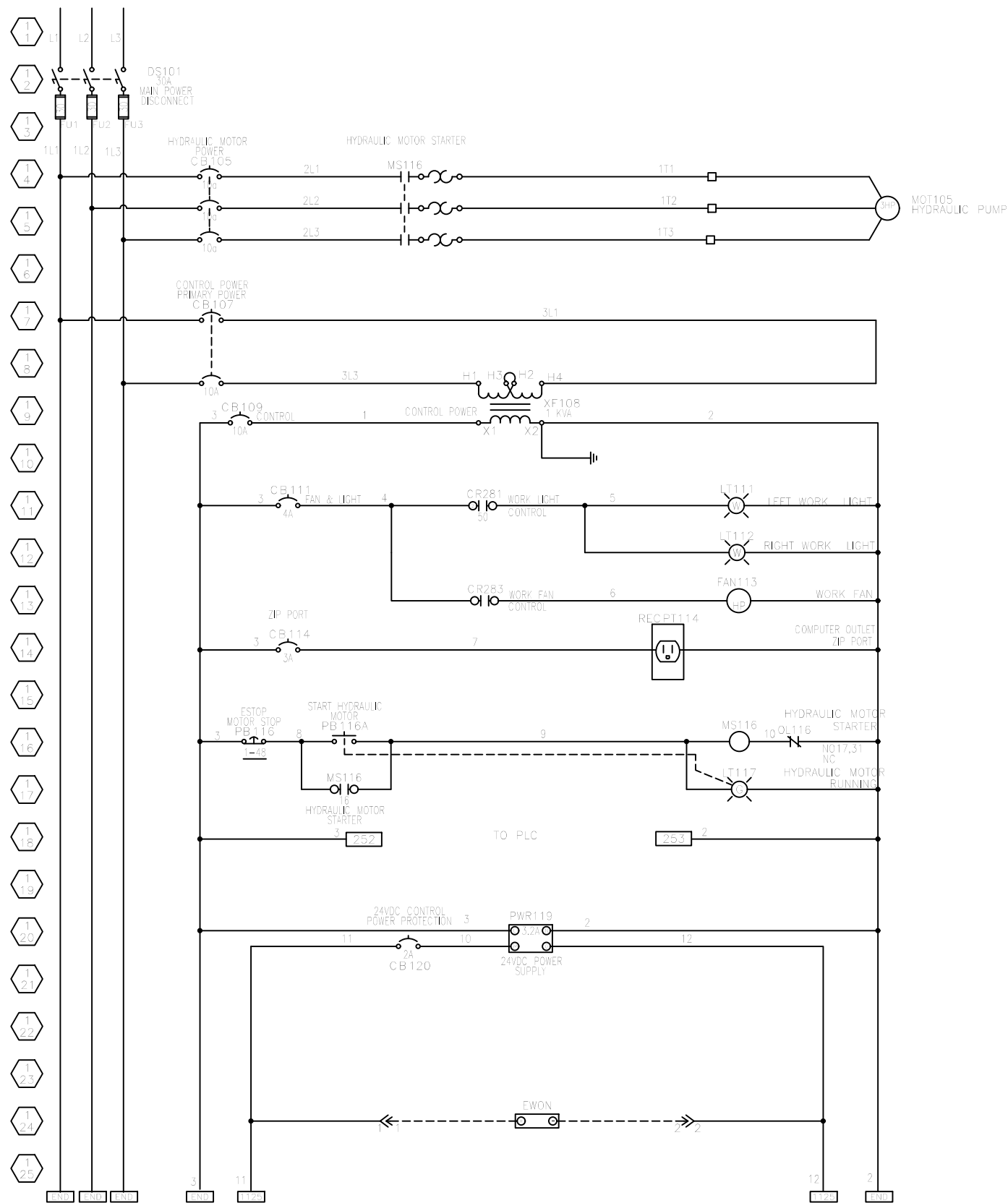
CUSTOMER: MAGNA

PROJECT: HYDRAULIC PRESS

DRAWING NO.: 1328-P1

ISSUED BY: RJS

SHEET: 3 OF 3



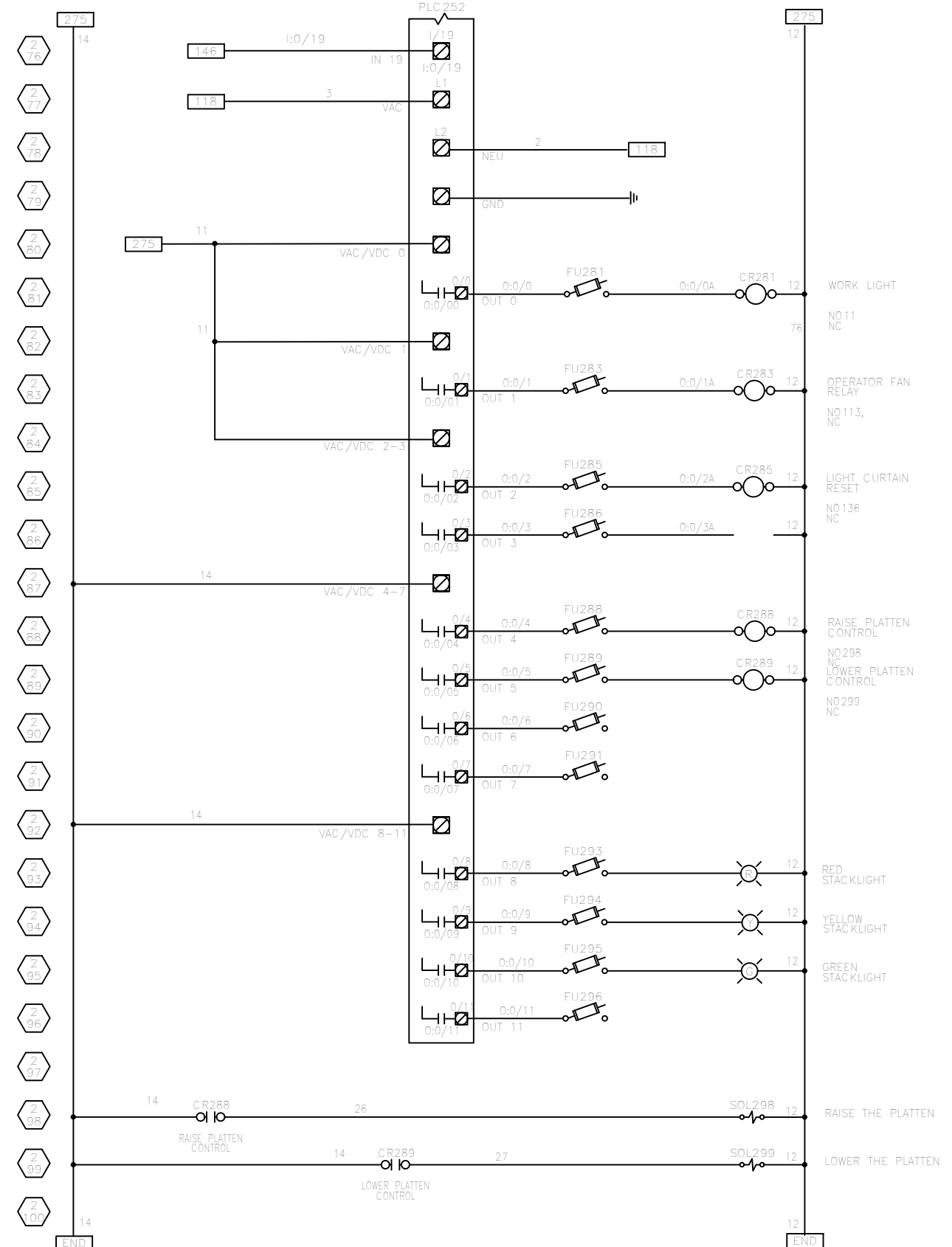
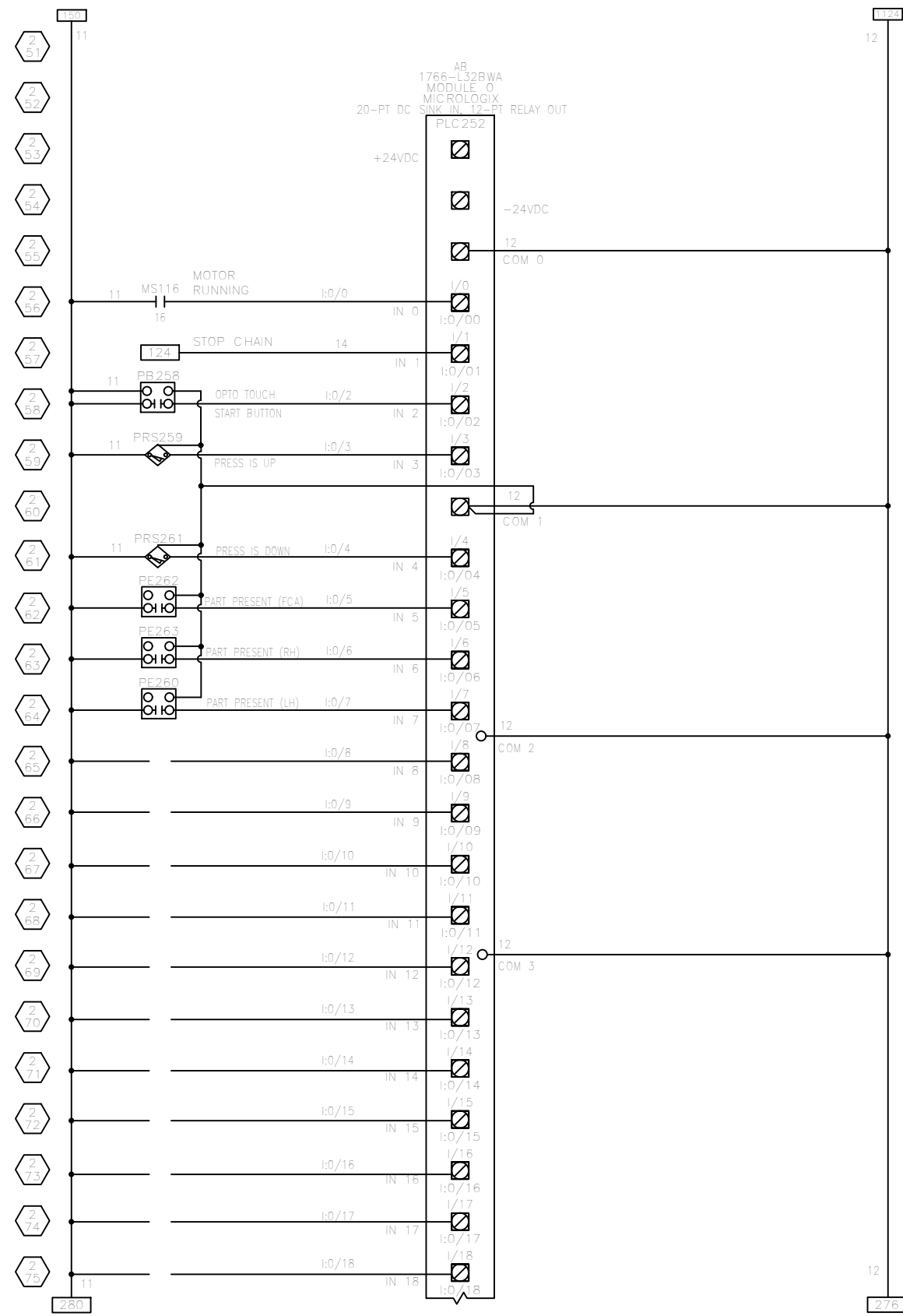
NOTICE

This drawing is the sole property of CG Automation & Fixture, and embodies a confidential proprietary design. All rights in this document and in the information contained herein are reserved by CG Automation & Fixture. This document may not be reproduced or used and its contents may not be disclosed to others without the expressed written consent of CG Automation & Fixture.

NO.	DATE	REVISIONS	BY	APPROV.	NO.	DATE	REVISIONS	BY	APPROV.
A	3/20/15	AS BUILT	JUB						

Automation & Fixture, Inc.
 5352 RUSCHE DR NW
 COMSTOCK PARK MI 49321
 PHONE: 616 785-5400
 FAX: 616 785-0540

Project:	MAGNA	Drawn by:	D. Johnson
Product:	HYDRAULIC PRESS	Scale:	AS SHOWN
Sheet Title:	Wiring Schematic	Sheet No.:	1328-51



NOTICE

This drawing is the sole property of CG Automation & Fixture, and embodies a confidential proprietary design. All rights in this document and in the information contained herein are reserved by CG Automation & Fixture. This document may not be reproduced or used and its contents may not be disclosed to others without the expressed written consent of CG Automation & Fixture.

NO.	DATE	REVISIONS	BY	APP'D	NO.	DATE	REVISIONS	BY	APP'D
A	3/20/15	AS BUILT	JJB						

<p>Automation & Fixture, Inc. 5352 RUSCHE DR NW COMSTOCK PARK W 49321 PHONE: 616 785-5400 FAX: 616 785-0540</p>	<p>DATE: 9-30-2014 SHEET: 2 SHEET TITLE: HYDRAULIC PRESS</p>	<p>DESIGN BY: D. JOHNSON SHEET NO.: 2 DRAWING NO.: 001328-S2</p>
--	--	--